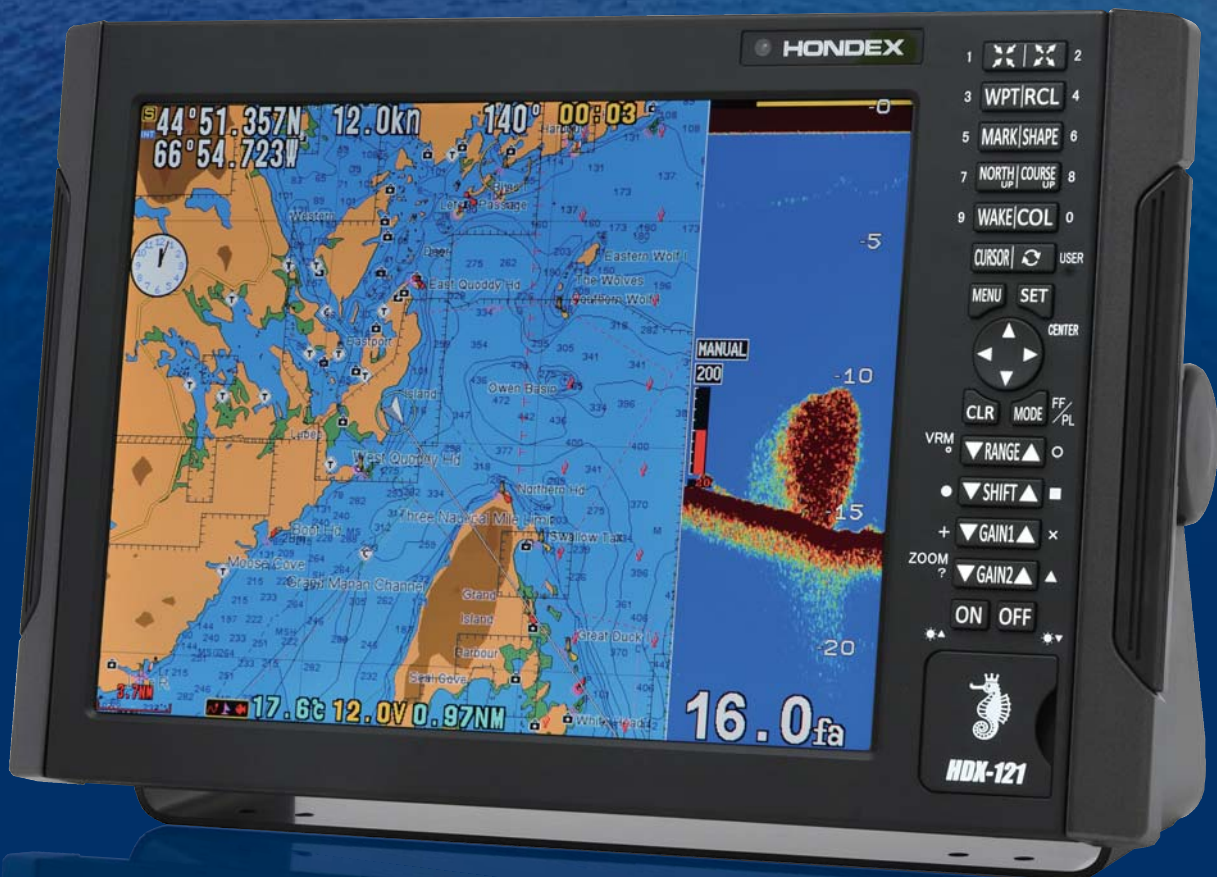


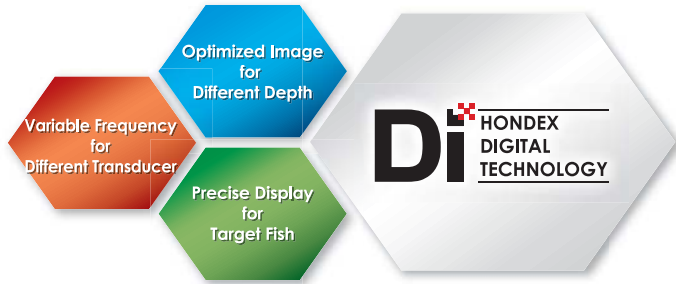
New Era of Commercial Fishing Professional Plotting Device

Super Bright Wide 12.1" Display



12.1" Combo
HDX-121
Echo Sounder / GPS Plotter
50&200kHz Model

"Di" series utilizing HONDEX's latest digital technology.



Introducing new technology of direct digital conversion. The optimized filtering even for weak signal is now available. "Deeper detection for deep water" and "Higher resolution image for shallow water" are in your hands.

"Di" Features

Dual display for same frequency:

Different gain settings are possible for single frequency image by splitting the image of single frequency to two different screens.

Whole Display Gain Adjustment:

Gain adjustment reflects to whole the past image (all display presentation).

**12.1" Combo
HDX-121**

Specifications

Display	12.1" Color LCD
Number of Pixel	800 X 600
Operating Voltage	DC11-35V
Power Consumption	Approx. 20W
Dimension	W358 x D146 x H242
Weight	Approx. 3.5kg
Display Style	Portrait

Plotter

Chart	C-MAP SD Card NT+ or MAX
Wake Memory	64,000 points
Mark Memory	48,000 points
Waypoint Memory	1,000 points
Wake Color	7 colors
Route Memory	40 routes

Echo Sounder

Frequency	50&200kHz
Output Power	1kW, 1.8kW
Depth Range	0-1,500m (5,000ft) (or fathom/braza)
Background Color	4 colors
Color Configuration	5 patterns

In the Box

- HDX-121 Display Unit
- Power Cable: DC07
- Front Cover: CV08



HDX-121 Display Unit



DC07



CV08

Options

- Remote: CR04
- GPS: GP-16H, GP-17H, GP-17HD
- Water Temp(Thru-Hull) Kit: TC02CS(15m), TCK01
- Water Temp(Transom): TC03-05/10 (5/10m)



CR04



GP-16H



GP-17H/17HD



TC02CS

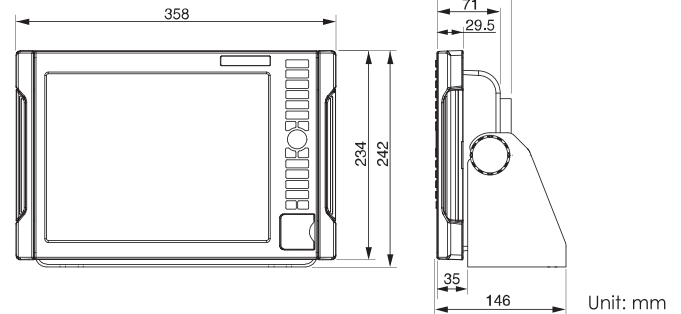


TCK01



TC03-05/10

Dimension



Unit: mm

Specifications are subject to change without notice.

●Dealer



HONDA ELECTRONICS CO., LTD.

20 Oyamazuka, Oiwa-cho,
Toyohashi, Aichi 441-3193, Japan

TEL: +81-532-41-2512

<https://www.honda-el.co.jp/en/marine/>



HONDEX is the registered trademark of HONDA ELECTRONICS CO.,LTD. in the United States, Japan and other countries.